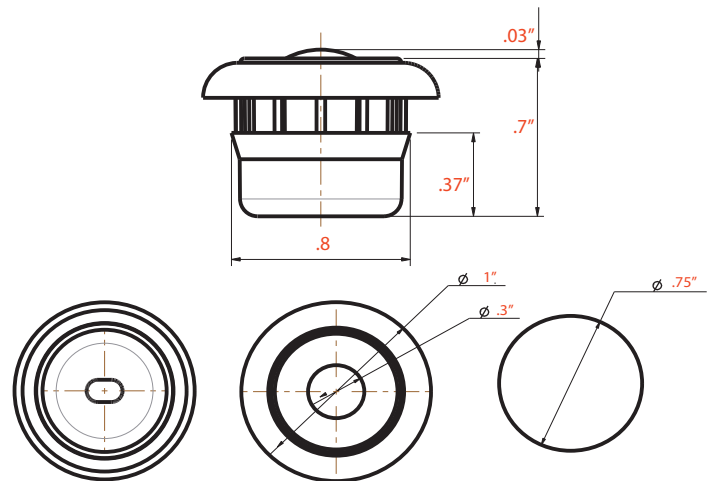


PENNY LED LIGHT



FEATURES

- VOLTAGE: 10-30V
- POWER@12.8V: 42mA
- SLEEK LOW PROFILE
- MOUNTING: SINGLE 3/4" PUNCHED/DRILLED PRESS-IN GROMMET
- FUNCTION: SIDE MARKER | CLEARANCE | ID | ABS
- BUILT-IN PIGTAIL LENGTH: 8IN.
- LED QTY: 1PC SMD LED
- LENS TYPE: UV PC LENS
- 100% WATERPROOF
- DOT FMVSS; Red: P2 P3 | Amber:P2 P3 | White:RP
- AVAILABLE FENDER MOUNT



| ITEM NO. | DESCRIPTION |
|-----------------|--|
| RTLED-3_4RD-1R | Round 3/4" Red Lens 1 LED Marker with built-in Pig Tail and Rubber Grommet |
| RTLED-3_4RD-1A | Round 3/4" Amber Lens 1 LED Marker with built-in Pig Tail and Rubber Grommet |
| RTLED-3_4RD-1RW | Round 3/4" White Lens 1 RED LED Marker with built-in Pig Tail and Rubber Grommet |
| RTLED-3_4RD-1AW | Round 3/4" White Lens 1 AMBER LED Marker with built-in Pig Tail and Rubber Grommet |
| RTLED-3_4RD-1W | Round 3/4" White Lens 1 WHITE LED Marker with built-in Pig Tail and Rubber Grommet |